

DUPLEX LIQUID RING VACUUM UNIT WITH PARTIAL WATER RECIRCULATION



SPECIFICATIONS

Vacuum pumps	Duplex Two Stage Liquid Ring
Flow	102 ACFM per pump @ 20" Hg vacuum. 34 SCFM Z305.1 rating. 68 SCFM both pumps running.
Electric power requirement	2 x 7 ½ HP electric motors 2 x 15 Amp, 575 volt, 3 phase, 60 hz supply minimum
Plumbing connections	<ul style="list-style-type: none">○ ¾" water supply to provide 8 gpm with both pumps running.○ Floor drain○ 1 ½" suction line to system○ 2" exhaust line to outside

Unit has less than 100 operating hours. Heavy duty lifting lugs and casters facilitate placement. Partial water circulation reduces water consumption to 2 gpm. In the event of a water supply interruption, a water storage tank allows the unit to run for several hours without overheating. Unit is suitable for any process requiring vacuum resistant to process contamination.

MODEL NUMBER: PE-LRV110-DRR
 DIMENSIONS ARE APPROXIMATE,
 DO NOT SCALE DRAWING.

PERFORMANCE TABLE						
VACUUM		PER PUMP		DUPLEX TOTAL		
TORR	IN HG	LPS	CFM	LPS	CFM	
250	20	RAREFIED	48	102	96	204
		FREE	16	34	32	68

EACH VACUUM PUMP REQUIRES 0.22 LPS (3.5 GPM)
 OF SERVICE WATER WHEN RUNNING.

CONNECTIONS:

- A 1 1/2" NPT INLET FROM SYSTEM
- B 2" NPT EXHAUST TO ATM.
- C 1 1/2" NPT SEPARATOR DRAIN
- D 1 1/2" NPT MANUAL TANK DRAIN
- E 3/4" NPT COOLING WATER INLET

VOLTAGE TO BE 600 V/3PHASE/60HZ

VACUUM SETTINGS:

- LEAD: ON @ 20" HG (250 TORR)
- OFF @ 25" HG (125 TORR)
- LAG: ON @ 18" HG (300 TORR)

ESTIMATED WEIGHT: 2,250 LBS

APPROXIMATE DIMENSIONS: 96"L X
 48"W X 72"H

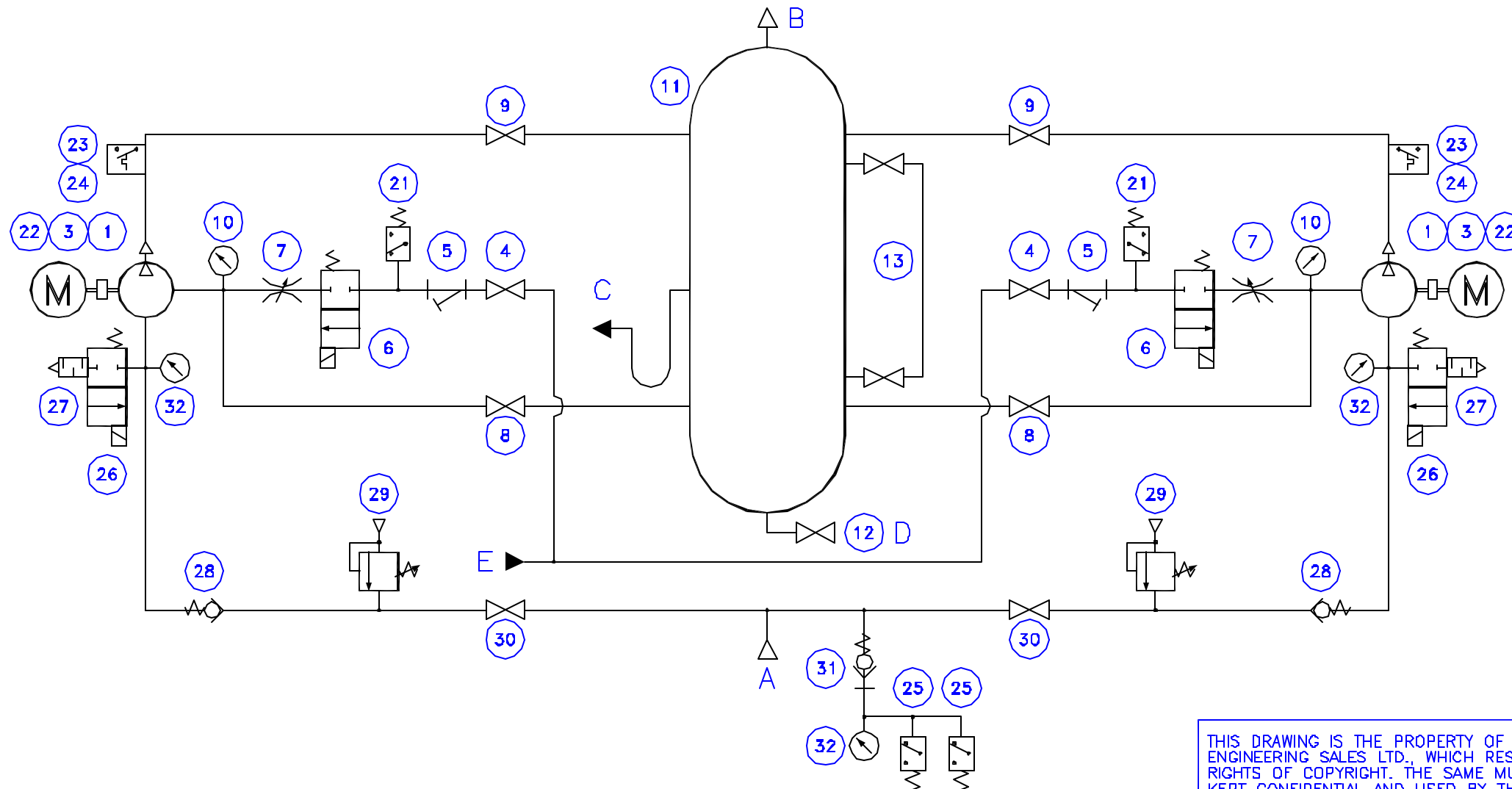
BACK FLOW PREVENTOR SUPPLIED BY
 HOSPITAL

THIS IS A DUPLEX UNIT REQUIRING
 POWER FROM TWO SEPARATE DISCONNECTS
 IN THE MCC.

ON HIGH DEMAND, BOTH VACUUM PUMPS
 WILL RUN AT THE SAME TIME.

PEERLESS ENGINEERING SALES LTD.
 4015 EAST FIRST AVENUE, BURNABY
 BRITISH COLUMBIA, CANADA, V5C 3W5

TYPE	MEDICAL	MODEL NO.	PE-LRV110-DPR
SERIAL NO.	2896	STYLE	DUPLEX
VOLTS/CY		FLUID	VACUUM
AMPS		FLOW	96 LPS
HP/RPM		PRESSURE	30 KPAA
PHASE		RESERVOIR	250 L



ITEM	DESCRIPTION	MANUFACTURER'S PART NUMBER	QTY
1*	VACUUM PUMP	SIHL LPHB-45312 BN117010	2
3*	COUPLING	REXNORD OMEGA #E5	2
4*	BALL VALVE	VELAN 1/2"NPT S-C1113-SSGA	2
5*	Y STRAINER	SARCO 3/4" IT CAST IRON	2
6*	SOLENOID VALVE	ASCO EF8210G 87 120/60 1/2"	2
7*	GLOBE VALVE	KITZ AK-200-UJM 1/2"	2
8*	BALL VALVE	VELAN 1"NPT S-C1113-SSGA	2
9*	BALL VALVE	VELAN 1 1/2"NPT S-C1113-SSGA	2
10*	COMPOUND GAUGE	LHA PGL-A-63-N-B-30-CS	2
11*	RECEIVER	PESL 60 GALLON (20"DIA X 48")	1
12*	DRAIN VALVE	DOMINION DBV31-H 1-1/2"	1
13*	SIGHT LEVEL GAUGE	PENBERTHY	1
21	WATER PRESSURE SWITCH	FURNAS 69WA4	2
22	ELECTRIC MOTOR 7.5 HP	BALDOR M3710T-5 (575/3/60)	2
23	TEMPERATURE CONTROLLER	AQUASTAT L6006A1145	2
24	COPPER IMMERSION WELL	AQUASTAT 121371A	2
25	VACUUM SWITCH	PNEUMOTIVE S62580	2
26	SOLENOID VALVE	ASCO 8030G13 120/60 3/8"	2
27	FILTER MUFFLER	ALLIED WITAN C38	2
28	CHECK VALVE	PESL 375-150	2
29	RELIEF VALVE	CDI VR75 3/4"	2
30	BALL VALVE	FAIRVIEW BV2103-K	2
31	SUCTION DISS	WESTERN M22 COMPLETE	2
32	VACUUM GAUGE	LHA PGL-A-63-N-B-30-VS	3
33	ELECTRICAL CONTROL	EEC	1

* = EXISTING COMPONENTS

REV	DATE	REVISION	DRN	APRD	
PEERLESS ENGINEERING SALES LTD. 4015 EAST FIRST AVENUE, BURNABY BRITISH COLUMBIA, CANADA, V5C 3W5					
SCALE	NO SCALE	APPROVED	DRN.BY	RJM	
DATE			CHKD. BY		
DUPLEX MEDICAL VACUUM UNIT					
				DWG.NO.	REV
				2896VS1	

THIS DRAWING IS THE PROPERTY OF PEERLESS ENGINEERING SALES LTD., WHICH RESERVES THE RIGHTS OF COPYRIGHT. THE SAME MUST BE KEPT CONFIDENTIAL AND USED BY THE RECIPIENT ONLY FOR THE SPECIAL PURPOSE FOR WHICH IT IS SO ISSUED AND MUST, UPON REQUEST, BE RETURNED TO PEERLESS ENGINEERING SALES LTD.

